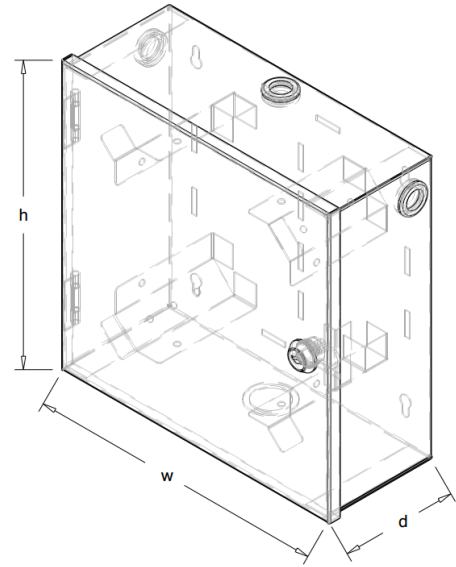


## Cabinet for Easy Access Cable spare

**DESCRIPTION:**

Wall-mounted cabinet designed to build FTTx networks.

- Possibility of collecting fiber stock from the easy access cable, and cooperation with the vertical infrastructure of the building,
- Lockable with 4-ratchet lock (dedicated key code),
- Possibility to insert linear cables on four sides, the cabinet has cable entries with a diaphragm (Ø19) on the bottom wall, 2 on the sides of the cabinet, and a blind hole (Ø38 / 29) at the top of the cabinet,
- In the rear part there are ribs enabling the assembly of clamps ordering fiber optic fibers,
- Material: steel sheet 1 mm thick,
- Possibility to order with a commutation field for 12 fiber optic adapters type SC Dx, and 2 trays for optical fiber splices,
- On request we can made other cable entries.

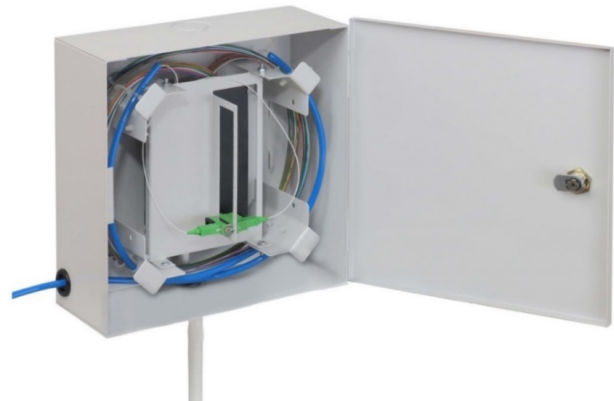


indoor

Symbol	external dimmensions (mm)		
	height	width	depth
<b>PSN-25/25/10 Z</b>	255	255	101
<b>PSN-25/25/10 PK</b>	255	255	101



**PSN - 25/25/10 Z**



**PSN - 25/25/10 Z PK**