

TPR Cabinet closing by padlock

DESCRIPTION:

- Material: sheet steel 1mm thick,
- Closing by 1 or 2 padlocks (top and bottom).

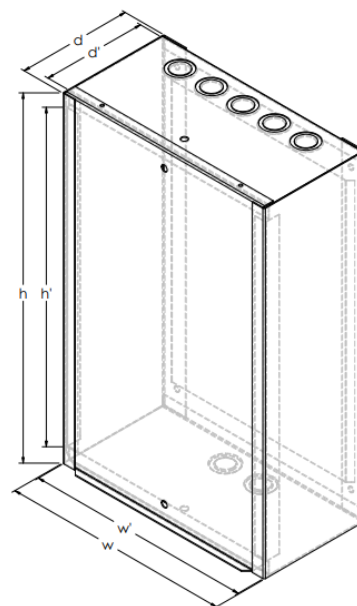
TPR- 30/30/12S:

- Welded sheet metal with dimensions: 185mm high, 280mm wide,
- 2 entry cables (Ø38- blinded), one from the top and one from the bottom,

TPR- 54/34/17S:

- Welded sheet metal with dimensions: height 430mm, width 320mm,
- 2 holes (Ø38- plugged), one from above and one from below for cable entry.

Possibility order with other dimensions, any number and arrangement blind holes (Ø29, Ø38, Ø48), or rectangular holes.



indoor

Symbol	External dimensions (mm)			Internal dimensions (mm)		
	height (h)	width (w)	depth (d)	height (h')	width (w')	depth (d')
TPR-30/30/12 S	320,5	302	129,5	299	300	108,5
TPR-54/34/17 S	540,5	339	178,5	537	336	157



TPR-30/30/12 S

