

SZK Cabinet with an additional module

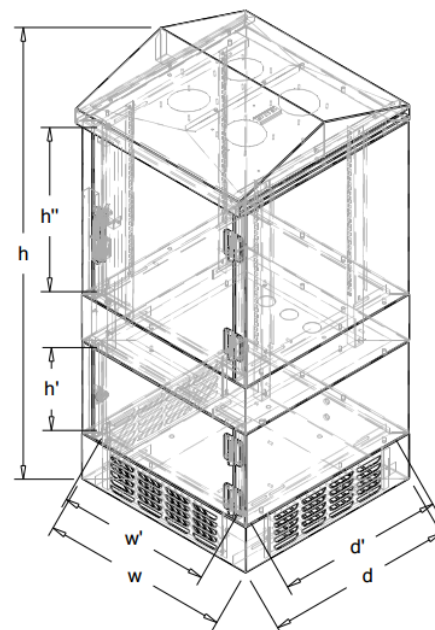
DESCRIPTION:

Cabinets for assembly on SK1 channel sump.

- Made of sheet metal with Magnelis coating 1.5mm thick, plinth made of sheet metal with a Magnelis coating 2 mm thick, 150 mm high, ventilation holes from three sides, covered with a filter mat,
- IP54 protection and mechanical resistance IK10 ratings,
- Upper part, locked with a 3-point bolt lock with a padlock bolt, swing handle,
- Lower part, locked with a hermetick lock,
- 2 pairs of 19" rack - adjustable distance between the front and rear pair from 260 mm to 430 mm,
- Lower module 6U dedicated for cable storage or accumulator.

Additional equipment:

- Heating set with thermostat,
- Heating set consisting of a CSL028 250W semiconductor blower controlled by an electronic hygrotherm ETF 012,
- A set for ventilation of cabinet with a thermostat,
- Floor plate with 3 holes Ø50 for self-breaking,
- 19" 1U 340 mm shelf,
- PS 19" 1U SC SX / DX pull-out,
- PS 19" 2U SC DX pull-out,
- 3U voltage distribution panel.



outdoor

Symbol	External dimmensions (mm)			Internal dimmensions (mm)		
	height (h)	width (w)	depth (d)	height (h')	width (w')	depth (d')
SZK 18U 19" (12U+6U)*	1312	610	633	532+268	503	569



SZK 18U 19" (12U+6U)