

"MZ" Cabinet

DESCRIPTION:

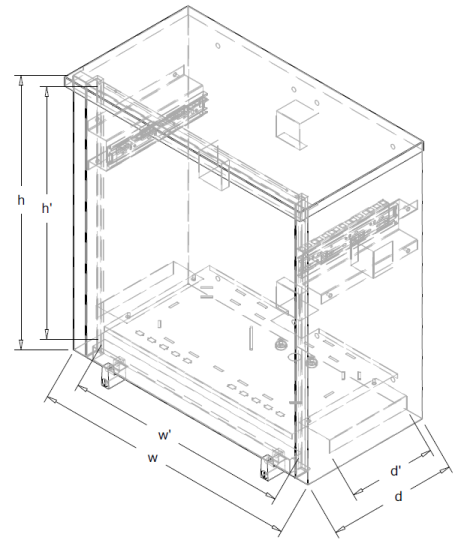
- Cabinet made of sheet metal with a 1,0 mm thick Magnelis coating,
- Locked by 2 padlocks T-13 Barrel with 8 mm diameter pins (basic version and L version) or hermetic locks (Z and ZL version),
- Cabinet has from bottom 2 holes $\varnothing 16$ and 1 hole $\varnothing 24$ blinded with hermetic glands,
- Can be wall mounted or mounted with 2 pole holders.

Additional equipment for basic version:

- 19" 5U rack mounts, fixed or retractable,
- PS 19" 1U 24xSC SX / DX,
- Splice tray,
- Cable storage organizer,
- 2 pole holders.

Cabinets in L and ZL versions are additionally equipped with:

- Welded cable organizer (cable reserve) on the back panel,
- Shelf with commutation field.



outdoor

| Symbol | External dimensions (mm) | | | Internal dimensions (mm) | | |
|-----------------------|--------------------------|-----------|-----------|--------------------------|------------|------------|
| | height (h) | width (w) | depth (d) | height (h') | width (w') | depth (d') |
| MZ-62/61/30 | 627 | 613 | 322 | 559,5 | 514 | 266 |
| MZ-62/61/30 Z | 627 | 613 | 322 | 559,5 | 514 | 266 |
| MZ-62/61/30 L | 627 | 613 | 322 | 518,5 | 514 | 266 |
| MZ-62/61/30 ZL | 627 | 613 | 322 | 518,5 | 514 | 266 |



MZ-62/61/30 ZL