

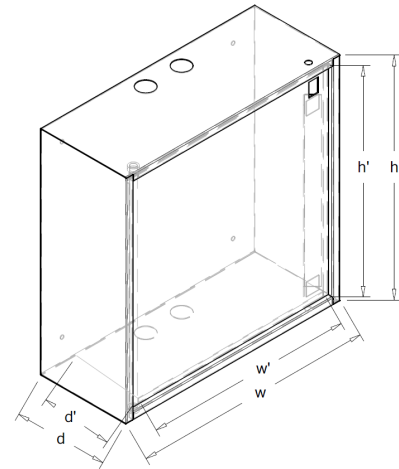
## GM Cabinet

### DESCRIPTION:

- Designed for wall mounting in places particularly exposed to devastation and burglary,
- Possibility of cable entry from the top and bottom, the cabinet has 2 holes (Ø38 / 29- plugged) from above and below,
- Closing by padlock with a stem in standard equipment.
- Made of steel sheet: body 1.5 mm, door 2 mm thick.

### Additional equipment:

- possibility order with other dimensions, any number and arrangement blind holes (Ø29, Ø38, Ø48), or rectangular holes,
- possibility of installing 19" 3U racks in GM-50/50/20.



Symbol	External dimensions (mm)			Internal dimensions (mm)		
	height (h)	width (w)	depth (d)	height (h')	width (w')	depth (d')
<b>GM-40/40/18</b>	401	400	181	347	332,5	146,7
<b>GM-50/50/20</b>	501	500	201	447	432	175



**GM-50/20/20**

indoor