

SZK 19" dual access Cabinets

DESCRIPTION:

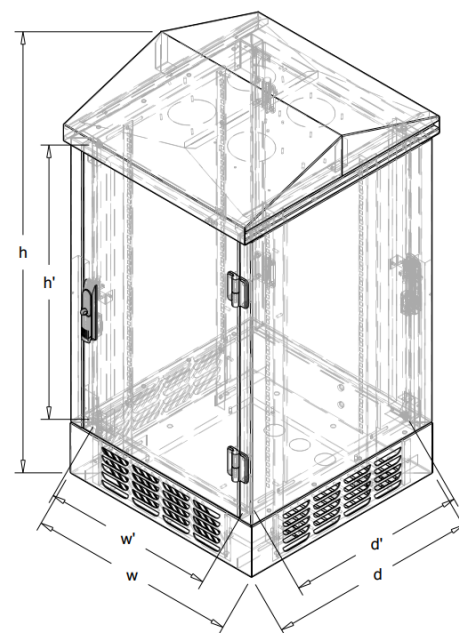
Cabinets for installation on SK1 channel sump.

- Made of sheet metal with Magnelis coating 1.5mm thick, plinth made of sheet metal with a Magnelis coating 2 mm thick, 150 mm high, ventilation holes from three sides, covered with a filter mat,
- IP53 protection and mechanical resistance IK10 ratings,
- Lockable with a pair of doors at the front and rear, which include a 3-point bolt lock with a pin for the padlock with a hinged handle,
- 2 pairs of 19" rack - adjustable distance between the front and rear pair from 260 mm to 430 mm, distance between the front of the body and the first pair of racks from 56mm to 174mm.,

On request, cabinet can be made from Aluminum.

Additional equipment:

- Heating set with thermostat,
- Heating set consisting of a CSL028 250W semiconductor blower controlled by an electronic hygrotherapy ETF 012,
- A set for ventilation of cabinets with a thermostat,
- Floor plate with 3 holes Ø50 for self-breaking,
- 19" 1U 340 mm shelf,
- PS 19" 1U SC SX / DX extendable,
- PS 19" 2U SC DX pull-out,
- 3U voltage distribution panel.



outdoor

Symbol	External dimensions (mm)			Internal dimensions (mm)		
	height (h)	width (w)	depth (d)	height (h')	width (w')	depth (d')
SZK 18U 19" dual	1138	610	610	801	503	533
SZK 30U 19" dual	1703	610	800	1335,6	503	723,4



SZK-30U 19" dual