

Hanging operator console

DESCRIPTION:

A hanging operator console intended for computer installation, control and measurement equipment or visualization production and technological processes.

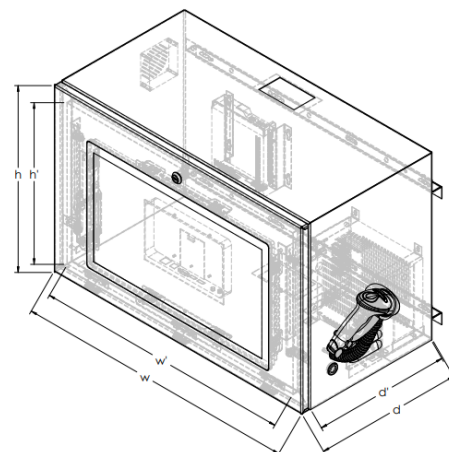
- Material: steel sheet 1.0mm thick,
- Closed with hermetic locks,
- Adapted for mounting a computer, barcode reader and UPS (these elements are not included in the console equipment),
- Used as an operator station at automated production lines, warehouses or machining centers.

Additional equipment:

- A set of pole holders (2 pcs).

To order:

- possibility of making in other dimensions,
- possibility to modify or make additional holes.



indoor

| Symbol | External dimensions (mm) | | | Internal dimensions (mm) | | |
|------------------------------------|--------------------------|-----------|-----------|--------------------------|------------|------------|
| | height (h) | width (w) | depth (d) | height (h') | width (w') | depth (d') |
| Pulpit operatorski wiszący* | 460 | 705 | 372 | 395 | 640 | 347 |



Pulpit operatorski wiszący