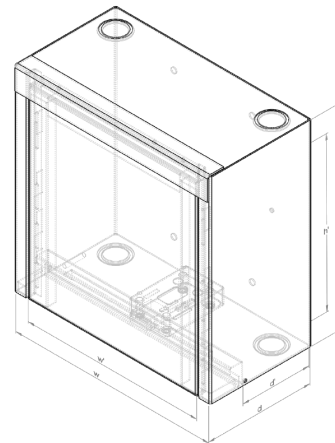


"M" Reinforced Cabinet

DESCRIPTION:

Cabinet designed for wall mounting in places particularly vulnerable to devastation and burglary.

- Material: steel sheet thickness 1.5 mm.,
- The body is reinforced with steel sheet angles 2mm.,
- Special door construction reinforced with steel sheet angles. 2mm.,
- Closing by safe lock (with IMP certificate, high security according to PN-ENV 1300: 2002),
- Booking a separate key code for each client, on differently different codes (if the key is lost, it is possible to change the code without replacing the locks),
- Mounting plate made of perforated sheet,
- Cabinet has 2 holes from above and from below (Ø38 / 29 - plugged).



Symbol	External dimensions (mm)			Internal dimensions (mm)		
	height (h)	width (w)	depth (d)	height (h')	width (w')	depth (d')
M-30/30/15 WZM	302	300	157	235	241	102,5



M-30/30/15 WZM



indoor