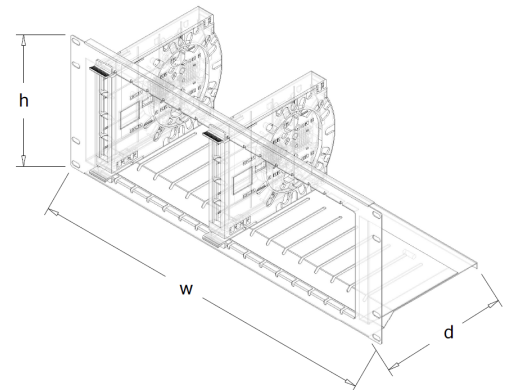


## 1U, 2U, 4U Modular Optical Fiber distribution board

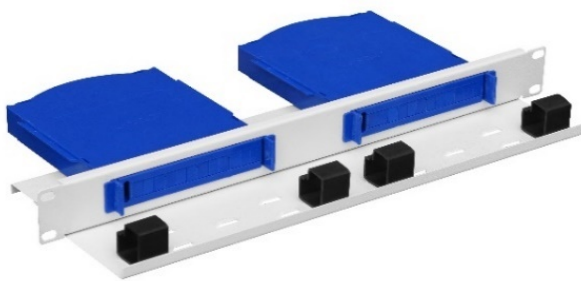
**DESCRIPTION:**

- 19" modular switchboard with 1,2,4U height for mounting in cabinets and teletechnical stands,
- The complete switchboard contains between 2 and 16 cartridges (modules) with a capacity of 12xSC Simplex, in total 24-192J. Modules 12J SX available as an accessory,
- Made of 1 mm thick steel sheet,
- Possible to equip the switchboard with an additional shelf which helps organize cables.

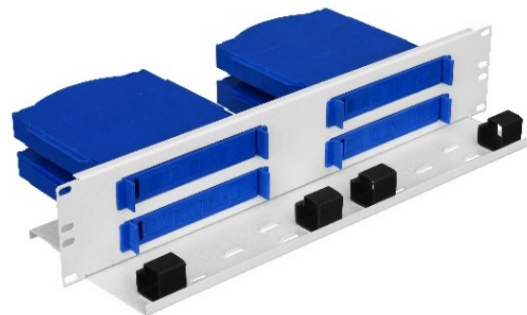


Symbol	internal dimensions (mm)		
	height	width	depth
<b>PS 19" 1U modul 24J</b>	1U	19"	81,3
<b>PS 19" 2U modul 48J</b>	2U	19"	81,8
<b>PS 19" 4U modul 192J</b>	4U	19"	169,8

distribution board



**PS 19" 1U modul 24J**



**PS 19" 2U modul 48J**



**PS 19" 4U modul 192J**