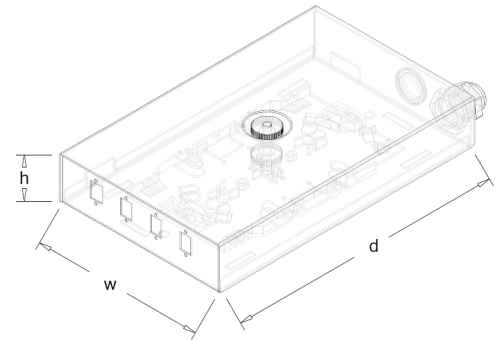


Mini Fiber-Optic distribution board 8J and 12J

DESCRIPTION:

Designed for mounting inside the cabinet.

- Possibility of installing trays for fiber optic splices,
- Material: steel sheet thickness 1mm,
- Possibility order with different type and spacing of the holes for adapters.



Symbol	external dimmensions (mm)		
	height	width	depth
PSN 1 4xSX	37	137	220
PSN 1 4xDX	32	111	247
PSN 1 6xSX	32	111	247
PSN 2 6xDX	32,5	141,5	279



PSN 1 4xDX



PSN 2 6xDX

distribution board