

Standing operator console

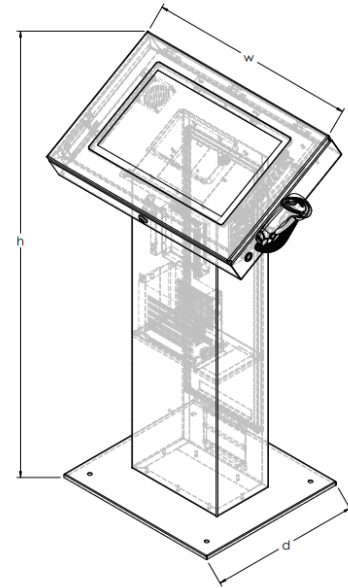
DESCRIPTION:

A standing operator console intended for computer installation, control and measurement equipment or visualization production and technological processes.

- Material: steel sheet 1.5mm thick,
- The operator's part and the foot closed with hermetic locks,
- Adapted for mounting a computer, barcode reader and UPS (these elements are not included in the console equipment),
- Used as an operator station at automated production lines, warehouses or machining centers.

To order:

- possibility of making in other dimensions,
- possibility to modify or make additional holes.



indoor

Symbol	external dimensions (mm)		
	height	width	depth
Pulpit operatorski*	1255	700	500



Pulpit operatorski